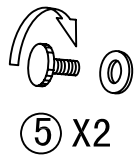
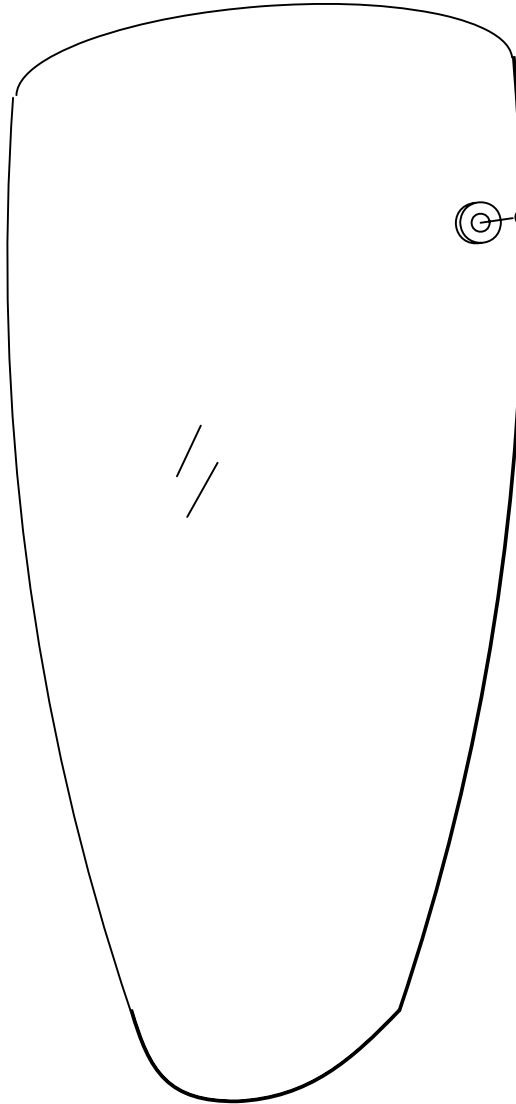


A

B



⑤ X2



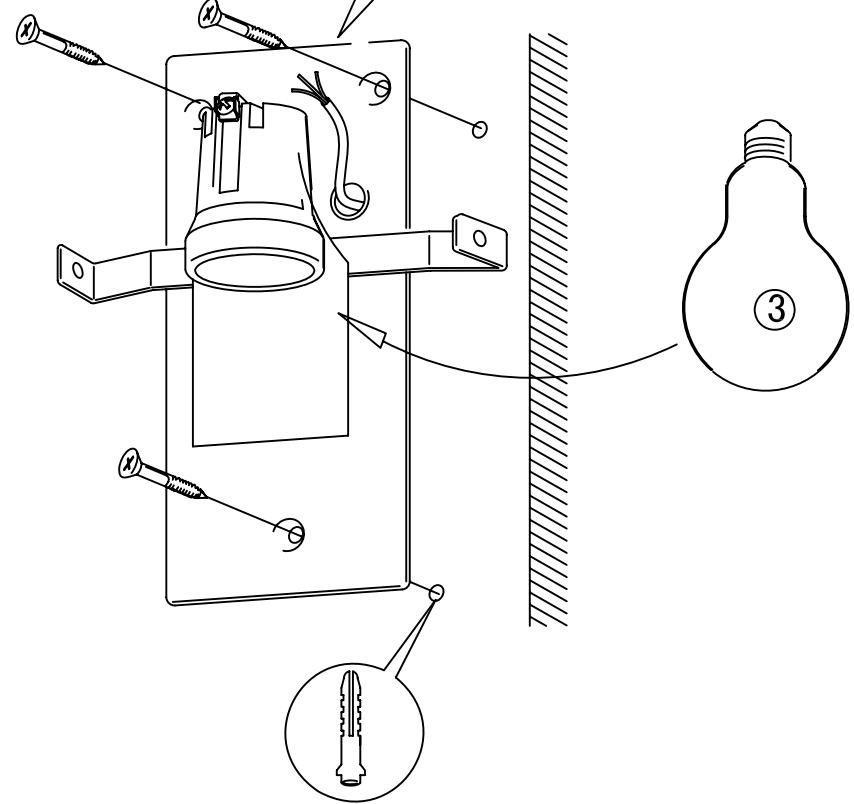
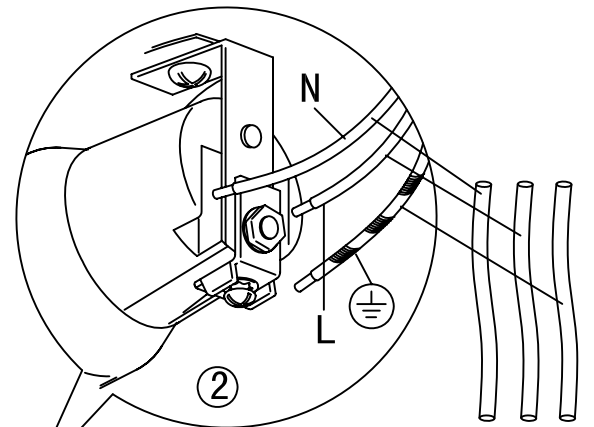
C

④

① X3

②

③



BLA83119